

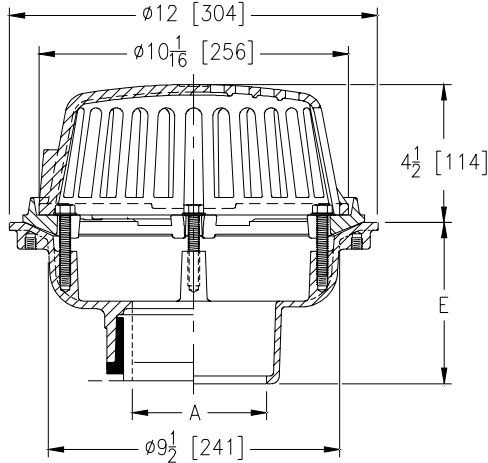
Z121 12" DIAMETER ROOF DRAIN LOW SILHOUETTE DOME



ENGINEERING SPECIFICATION

Zurn Z121 12" diameter roof drain features Dura-Coated Cast Iron body with combination membrane flashing clamp/gravel guard and low silhouette polydome.

A Pipe Size inches [mm]	Dome Open Area sq in [cm ²]	Approximate Weight lb [kg]
2 [51], 3 [76], 4 [102], 6 [152]	78 [503]	22 [10]



PREFIXES	DESCRIPTION	PIPE SIZE	LIST PRICE
Z121*	D.C.C.I. Body with 4-1/4" Polydome	2", 3", 4", 6"	626.00
ZA121	D.C.C.I. Body with 6-9/16" Aluminum Dome	2", 3", 4", 6"	803.00
ZC121	D.C.C.I. Body with Low-Silhouette Cast Iron Dome	2", 3", 4", 6"	783.00

OUTLETS (SPECIFY PIPE SIZE IN INCHES AND TYPE OF OUTLET)				
OUTLET TYPE		OUTLET DESIGNATION (PIPE SIZE/OUTLET TYPE)	E BODY HT. DIM.	ADD
IC	Inside Caulk	2IC, 3IC, 4IC, 6IC	5-1/4"	N/C
IP	Threaded	2IP, 3IP, 4IP, 6IP	3-3/4"	80.00
NH	No-Hub	2NH, 3NH, 4NH, 6NH	5-1/4"	N/C
NL	Neo-Loc (not recommended for roof drains)	2NL, 3NL, 4NL	4-5/8"	N/C

SUFFIXES		ADD
-AR	Acid Resistant Epoxy Coated Finish	1,017.00
-C	Underdeck Clamp	150.00
-DB	Deep Sump Body (IC Only)	446.00
Ⓢ -DP	Top-Set® Roof Deck Plate (Replaces both -C and -R)	339.00
-E	Static Extension 1" thru 4"	D.C.C.I. 344.00 Galv. 654.00
	For Each Additional 1" above 4" - Per Inch (Specify Height)	D.C.C.I. 173.00 Galv. 326.00
Ⓢ -EB	Top-Set Adjustable Extension Assembly	503.00
-FG	Flush Grate	345.00
-G	Galvanized Cast Iron	393.00
-R	Roof Sump Receiver	257.00
-SC	Secondary Clamping Collar	184.00
-SS	Stainless Steel Mesh Screen Over Dome	466.00
Ⓢ -TC	Neo-Loc Test Cap Gasket (2", 3", 4" NL Bottom Outlet Only)	24.00
-VP	Vandal-Proof Secured Top	116.00
-XJ	Vertical Expansion Joint (See Z190) (Use with IP Outlets Only)	-
-84	Stainless Steel Perforated Gravel Guard 1" thru 4"	626.00
	For Each Additional 1" above 4" - Per Inch (Specify Height)	72.00
-85	Stainless Steel Perforated Extension 1" thru 4"	626.00
	For Each Additional 1" above 4" - Per Inch (Specify Height)	72.00
-89	2" High External Water Dam	194.00
-90	90° Threaded Side Outlet Body - 2", 3", 4"	158.00

BEST SELLERS	LIST PRICE
Z121-3NH	626.00
Z121-3NH-89	820.00
Z121-3IP-90	864.00
Z121-3NH-DP	965.00
Z121-3NH-SS	1,092.00
ZC121-3NH	783.00
Z121-3NL-FG	971.00
Z121-4NH	626.00
ZC121-4NH	783.00
Z121-4NH-89	820.00
Z121-4NH-89-DP	1,159.00
Z121-4NH-C	776.00
Z121-4NH-DP	965.00
Z121-4NL-89-R	1,077.00
Z121-4NL-R	883.00
ZA121-4NH	803.00
Z121-6NH	626.00
Z121-6NH-89	820.00
Z121-6NH-DP	965.00
ZC121-6NH	783.00

Supplied By:



877-903-7246

www.commercialplumbingsupply.com

For additional product information, please visit www.zurn.com.

*Regularly furnished unless otherwise specified.

Items designated as Best Sellers are most specified and are generally in stock for shipment.

Ⓢ This symbol denotes a product that is engineered to reduce installation and rework time.